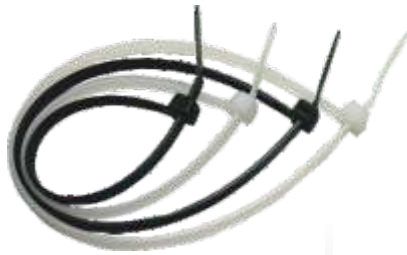




ELETTRO™

ELECTRICAL CABINET ACCESSORIES

Built For The Challenge



IP 55

IP 65

Established under the team of experience for more than 10 years. **ELETTRO**TM has created its presence in both domestic and international market's. We as an professional manufacture of Air-Vents, Push Botton Station, Fan Finger Guard, Document Holders, Locks, Hinges, Handles and other accessories matching for high and low voltage switch gears, meters, communication cabinets. We integrate R&D, Innovation, Creation, manufacturing and sales together

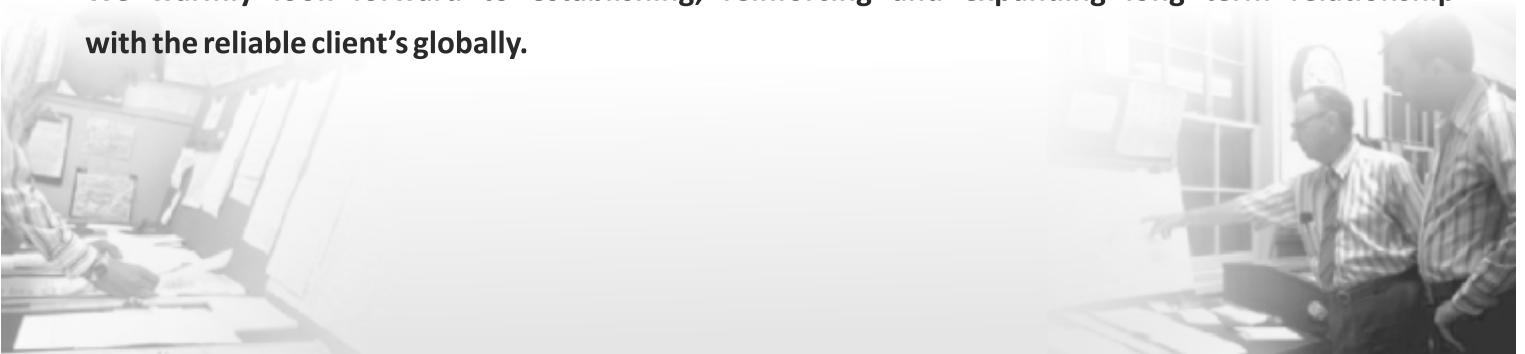
ELETTROTM is been empowered with a team of more then 50 employees in our company, including 6 administrators, 4 intermediate and senior technicians. We possess more than 150 of advanced machining sets and perfect moulds, thermoplastic injections, pressing and hardware parts. Each of our products is a high-end one, designed, developed and produced by complete implementation of International Organization for Standardization

ELETTROTM have a network of more then 150 dealers and 300 OEMS across India, We also into export to various Country like U.A.E, SINGAPORE, MALAYSIA, CANADA, BANGLADESH and SOUTHEAST ASIA etc

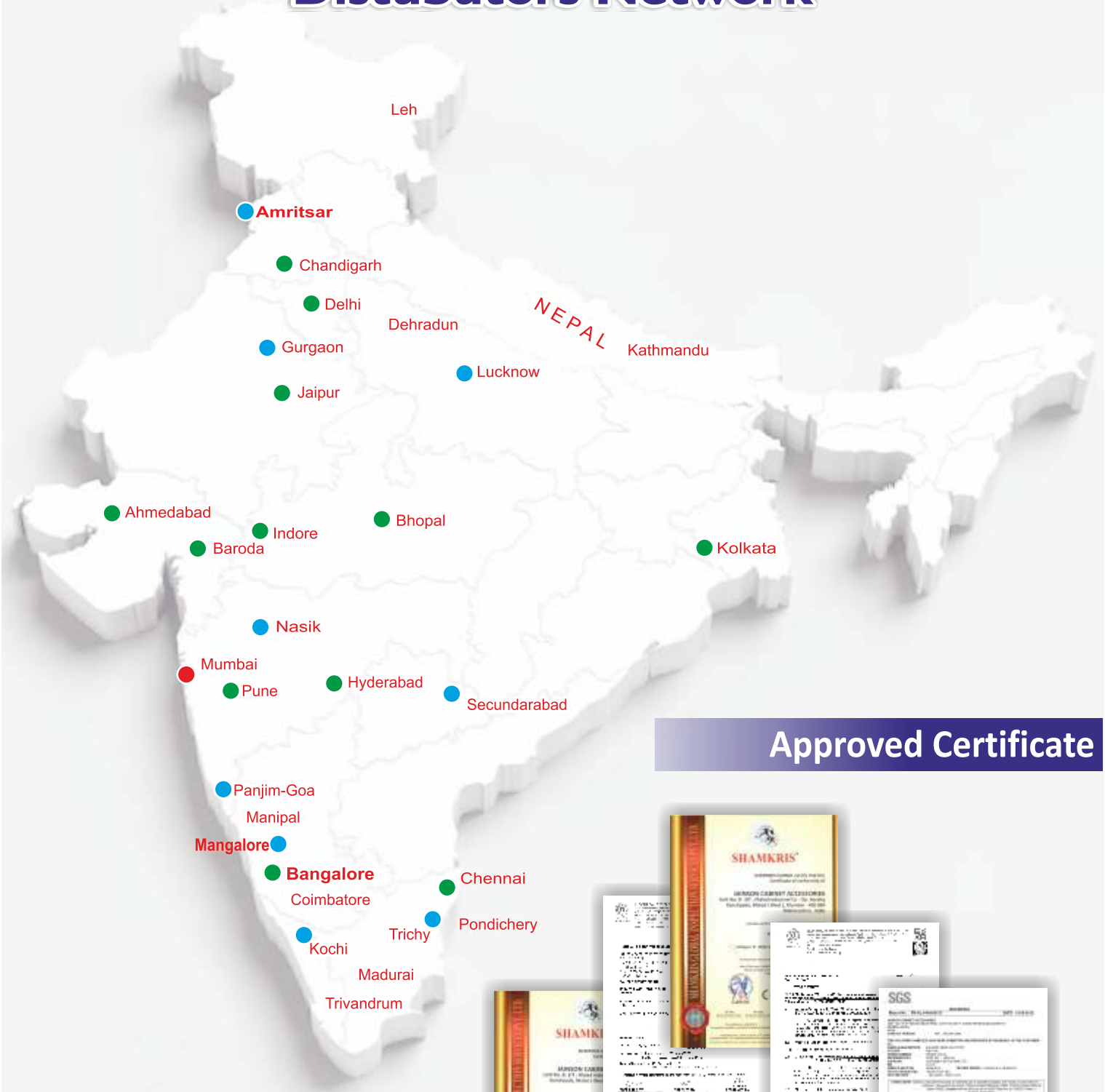
ELETTROTM Growth Strategy

- ★ Customized Products
- ★ Pre-after sales assistance
- ★ Quality that speaks for itself
- ★ Monitoring of Customer's satisfaction & Feedback

We warmly look forward to establishing, reinforcing and expanding long term relationship with the reliable client's globally.



Distubutors Network



- Head Office
- Distributors
- Dealers

Approved Certificate



S.S 316 ROLLER BALL 4.6mm CABLE TIES



PRODUCT CODE	NOMINAL OVERALL LENGTH		STRAP WIDTH		MAX DIAMETER SINGLE LOOP		THICKNESS	MIN LOOP TENSILE STRENGTH		STD PKG (PCS/PAC)
	mm	inch	mm	inch	mm	inch		mm	kgf	lbs
ET-ST100X4.6	100	4	4.6	0.18	27	1.1	0.25	68	150	100
ET-ST150X4.6	150	6	4.6	0.18	43	1.7	0.25	68	150	100
ET-ST200X4.6	200	8	4.6	0.18	59	2.3	0.25	68	150	100
ET-ST250X4.6	250	10	4.6	0.18	75	3	0.25	68	150	100
ET-ST300X4.6	300	12	4.6	0.18	86	3.4	0.25	68	150	100
ET-ST360X4.6	360	14.4	4.6	0.18	97	3.95	0.25	68	150	100
ET-ST450X4.6	450	18	4.6	0.18	121	4.95	0.25	68	150	100
ET-ST520X4.6	520	20.8	4.6	0.18	140	5.72	0.25	68	150	100
ET-ST620X4.6	620	24.8	4.6	0.18	167	6.82	0.25	68	150	100
ET-ST680X4.6	680	27.20	4.6	0.18	183	7.48	0.25	68	150	100
ET-ST840X4.6	840	33.6	4.6	0.18	227	9.25	0.25	68	150	100
ET-ST1000X4.6	1000	40	4.6	0.18	270	11	0.25	68	150	100



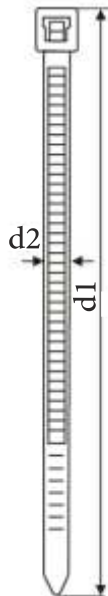
S.S 316 ROLLER BALL 7.9mm CABLE TIES

PRODUCT CODE	NOMINAL OVERALL LENGTH		STRAP WIDTH		MAX DIAMETER SINGLE LOOP		THICKNESS	MIN LOOP TENSILE STRENGTH		STD PKG (PCS/PAC)
	mm	inch	mm	inch	mm	inch		mm	kgf	lbs
ET-ST100X7.9	100	4	7.9	0.32	27	1.1	0.25	136	300	100
ET-ST150X7.9	150	6	7.9	0.32	43	1.7	0.25	136	300	100
ET-ST200X7.9	200	8	7.9	0.32	59	2.3	0.25	136	300	100
ET-ST250X7.9	250	10	7.9	0.32	75	3.0	0.25	136	300	100
ET-ST300X7.9	300	12	7.9	0.32	86	3.4	0.25	136	300	100
ET-ST360X7.9	360	14.4	7.9	0.32	97	3.95	0.25	136	300	100
ET-ST400X7.9	400	16	7.9	0.32	118	4.60	0.25	136	300	100
ET-ST520X7.9	520	20.8	7.9	0.32	140	5.72	0.25	136	300	100
ET-ST620X7.9	620	24.8	7.9	0.32	167	6.82	0.25	136	300	100
ET-ST680X7.9	680	27.20	7.9	0.32	183	7.48	0.25	136	300	100
ET-ST840X7.9	840	33.6	7.9	0.32	227	9.25	0.25	136	300	100
ET-ST1000X7.9	1000	40	7.9	0.32	270	11.0	0.25	136	300	100



SELF LOCKING PA 66 CABLE TIES

STANDARD SERIES



PRODUCT CODE	NOMINAL OVERALL LENGTH		STRAP WIDTH		MAX BUNDLE CABLE DIAMETER		THICKNESS	MIN LOOP TENSILE STRENGTH		STD PKG	STD PKG (PCS/PAC)
	d1 mm	inch	d2 mm	inch	mm	inch		mm	kgf		
ET 100 x 2.5	100	4	2.5	0.10	20	0.79	0.9	8	18	100	600
										1000	60
ET 150 x 2.5	150	6	2.5	0.10	35	1.38	1.2	8	18	100	400
ET 150 x 3.6	150	6	3.6	0.14	35	1.38	1.2	18	40	100	300
ET 200 x 3.6	200	8	3.6	0.14	45	1.77	1.2	18	40	100	200
ET 200 x 4.8	200	8	4.8	0.19	45	1.77	1.3	23	50	100	150
ET 250 x 4.8	250	10	4.8	0.19	60	2.36	1.3	23	50	100	150
ET 300 x 4.8	300	12	4.8	0.19	75	2.95	1.3	23	50	100	150
ET 300 x 7.6	300	12	7.6	0.30	75	2.95	1.4	54.4	120	100	60
ET 350 x 4.8	350	14	4.8	0.19	90	3.60	1.3	23	50	100	120
ET 400 x 4.8	400	16	4.8	0.19	105	4.20	1.3	23	50	100	90
ET 450 x 4.8	450	18	4.8	0.19	115	4.53	1.3	23	50	100	60

Technical Details	
• Material	PA 66 UL Certified 94V-2
• Operating Temp	-10°C to 130°C
• Oxygen Index	25% - 28%
• Smoke Density	Flaming 35 No Flaming 13

- * Natural & Black Available -
- * Colours on Request
- * Weather Proof UV on Request

TAG TYPE SERIES



PRODUCT CODE	d1 mm	inch	d2 mm	inch	mm	inch	mm	kgf	lbs	PIECES/PAC	CTN/PAC
ET-T 100 x 2.5	100	4	2.5	0.10	20	0.79	0.9	8	18	100	400
										1000	40

CABLE TIE GUN



PRODUCT CODE	Fit For Wide mm	Thickness mm	PIECES/PER BOX	CTN/PAC
ET 600A	2.2 to 4.8	up to 1.6	20	40

SCREW TYPE TIE MOUNT



PRODUCT CODE	SIZE (mm)	Mounting Method (mm)	For max. Cable Tie Width (mm)	STD PKG
ET 4 (PA)	22.5x16x9.8	6mm Screw	8.5	100 Nos
ET 4 (PPCP)	22.5x16x9.8	6mm Screw	8.5	100 Nos

POLYAMIDE FLEXIBLE CONDUIT



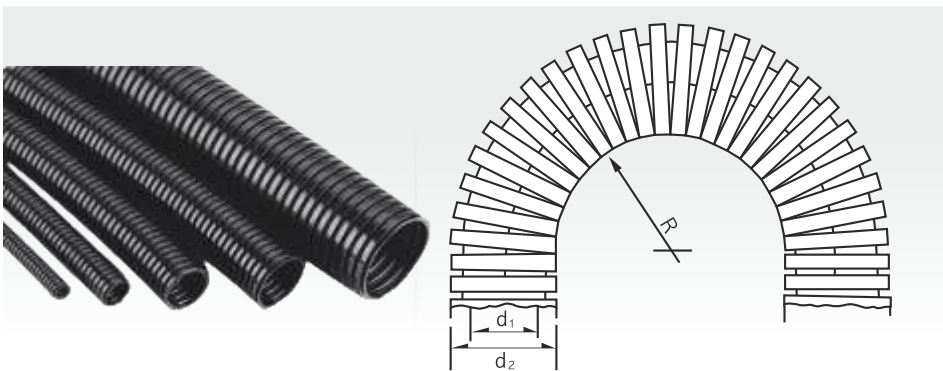
Polyamide Flexible Conduit is a device, which is used for the protection to wires and cables. The Polyamide Conduit offers high flexibility and most importantly the protection of wires and cables from burning or catching fire.

The Polyamide Toughened Conduit Pipes are manufactured using special modified Polyamide PA6, also popular by the name Nylon. Owing to the use of nylon as the production material, the Polyamide Rigid Flexible Conduits have high flexibility and offer self extinguishing properties. Available in UV Resistant (Grey Color) and in other assorted colors, the Polyamide Conduit serves a different purpose. For examples, the Green colored Polyamide Toughened Conduit Pipes are indicators of electrical wiring from hydraulic applications.

FUTURES – FLEXIBLE CONDUIT

As per the study, the future of such Polyamide Toughened Conduit Pipes is on the brighter side. Here are some key facts, in support of the statement:

- The Greater budget allocation has been noticed in buying Polyamide Rigid Flexible Conduits for the wires and cables protection.
- With the use of the heavy duty machinery constantly on the rise, the need of the protectors for the cables and wires from fire etc. is on the rise
- Greatly recommended for a wide variety of applications like Hospital & Dental Equipment, General Machine, Marine Engines, Solar Panel Arrays, and all sorts of Mechanical Wire & Cable Protection solutions.
- Features like Wide range of temperature tolerance, will be a good thing of concern for future owing to the change in climatic conditions drastically
- Since, these are environmentally safe, there is no concern of damaging the nature, which has been the concern of Today.



Technical Details :

Material	Polyamide 6
Flexural Strength	950 kg / cm ²
Flexural Modulus	26,000 kg / cm ²
Tensile Strength	700 kg / cm ²
Impact Strength	25 kg / cm ²
Temperature Range	-40°C to +105°C Continuous, +150°C Short Term
Resistant	Alcohol, Benzol, Greases, Mineral Oil, Diesel Fuel, Sea Water, Petrol, etc.
Protection Class	IP 67
Approvals	CE ROHS

CAT NO BLACK	CONDUIT GLAND SIZE	INNER DIAMETER d1 (mm)	OUTER DIAMETER d2 (mm)	BENDING RADIUS R (mm) ± 10%	PACKING/MTR	ROLL/STD PACK
ET-10	PG-7	6.4	10.0	20	100	20
ET-13.50	PG-9	9.6	13.0	30	50	18
ET-16	PG-11	11.8	15.8	40	50	18
ET-22	PG-16	15.9	21.2	45	50	18
ET-28	PG-21	21.7	28.5	55	50	12
ET-34	PG-29	27.8	34.5	60	25	10
ET-42	PG-36	36.0	42.5	65	25	10
ET-54	PG-48	48.3	54.5	80	25	10

POLYAMIDE FLEXIBLE CONDUIT GLAND



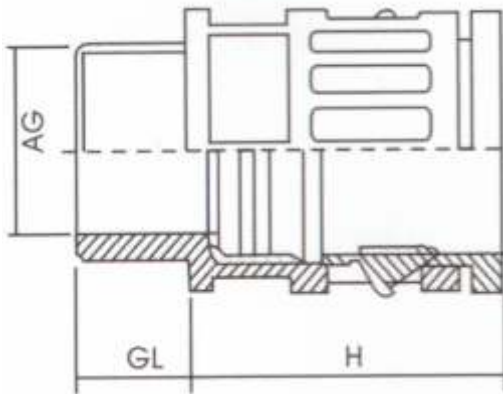
- Waterproof Nylon PA Plastic Flexible Conduit
- Quick Screw Connector Gland Fitting Material:

Installation:

One end is connected with plastic corrugated flexible conduit/hose and the other end is connected with the electric device or equipment cabinet

Feature:

- A. Excellent claw design, to provide a fast and safe connection with the tubing
- B. Excellent pulling strength, ideal for cable protection system



Technical Details :

Material	Polyamide 6
Temperature Range	-40°C to +105°C Continuous, +150°C Short Term
Resistant	Alcohol, Benzol, Greases, Mineral Oil, Diesel Fuel, Sea Water, Petrol, etc.
Approvals	CE ROHS

CAT NO BLACK	CONDUIT SIZE	(AG)mm	(AG)mm Thread Length	(GL)mm	(H)mm	PIECES/PAC
PG-7	ET-10	12.3	6.5	11.5	18	100
PG-9	ET-13.50	15	10	11.5	19	100
PG-11	ET-16	18.4	12.5	12	23	100
PG-13.5	ET-18.5	20.2	14.3	12	12	100
PG-16	ET-22	22.3	17.0	13	27	100
PG-21	ET-28	28	23	13	33	50
PG-29	ET-34	36.7	29	15	35	25
PG-36	ET-42	46.7	36	15	38.5	20
PG-48	ET-54	59	53	16	39	10

AIR VENT (Fan Filer)



CAT NO.: JSAV-01

Size: 130mm X 130mm



Colour Shade- RAL-7032, 7035
Screw Fit Material-ABS

CAT NO.: JSAV-02

Size: 147mm X 147mm



Colour Shade- RAL-7032, 7035
Snap Fit Material-ABS

CAT NO.: JSAV-03

Size: 184mm X 184mm



Colour Shade- RAL-7032, 7035
Screw Fit Material-ABS

CAT NO.: JSAV-04

Size: 203mm X 203mm



Colour Shade- RAL-7032, 7035
Snap Fit Material-ABS

CAT NO.: JSAV-05

Size: 238mm X 238mm



Colour Shade- RAL-7032, 7035
Screw Fit Material-ABS

CAT NO.: JSAV-06

Size: 255mm X 255mm



Colour Shade- RAL-7032, 7035
Sanp Fit Material-ABS

CAT NO.: JSAV-09

Size: 325mm X 325mm



Colour Shade- RAL-7032, 7035
Snap Fit Material-ABS

CAT NO.: JSAV-10

Size: 117mm X 117mm



Colour Shade- RAL-7035
Snap Fit Material-ABS

CAT NO.: JSAV-11

Size: 90mm X 90mm



Colour Shade- RAL-7035
Screw Fit Material-ABS

AIR VENT (Fan Filer)

CAT NO.: JSAV-150/SF-4

Size: 150mm X 150mm



Colour Shade- RAL-7035
Snap Fit Material-ABS

CAT NO.: JSAV-204/SF-4/6

Size: 204mm X 204mm



Colour Shade- RAL-7035
Snap Fit Material-ABS

CAT NO.: JSAV-255/SF-6/8

Size: 255mm X 255mm



Colour Shade- RAL-7035
Snap Fit Material-ABS

CAT NO.: JSAV-117/SF-3/3.5

Size: 117mm X 117mm



Colour Shade- RAL-7035
Snap Fit Material-ABS

CAT NO.: JSAV-204/DT-1

Size: 203mm X 203mm



Colour Shade- RAL-7035
Snap Fit Material-ABS

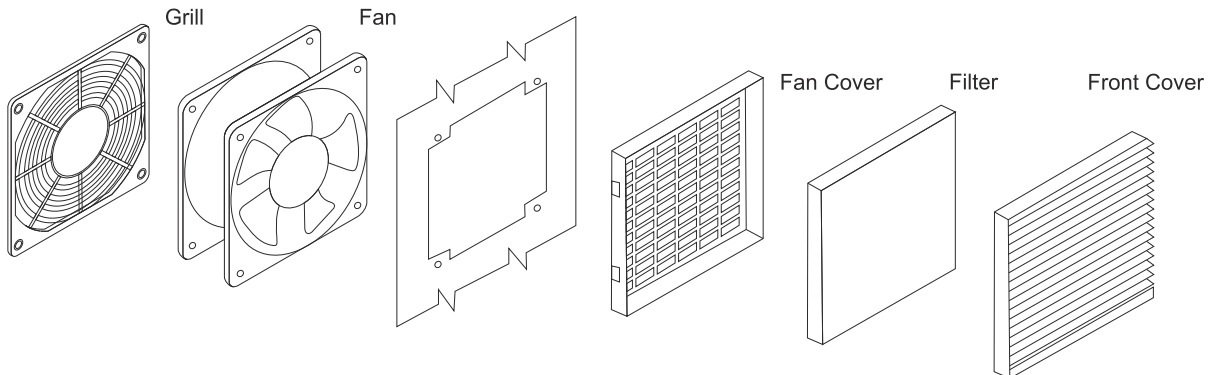
CAT NO.: JSAV-255/DT-2

Size: 255mm X 255mm



Colour Shade- RAL-7035
Snap Fit Material-ABS

Control Panel (Cut-out on Door as per Fan Selection)



ASSEMBLY DIAGRAM

FAN FINGER GUARD

CAT NO.: JSFG-01

Size: 120mm X 120mm



Colour Shade-Black

Screw Fit
Material-ABS

CAT NO.: JSFG-02

Size: 172mm X 150mm



Colour Shade-Black

Screw Fit
Material-ABS

CAT NO.: JSFG-03

Size: 172mm X 172mm



Colour Shade-Black

Screw Fit
Material-ABS

CAT NO.: JSFG-04

Size: 220mm X 220mm



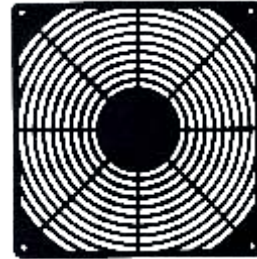
Colour Shade-Black

Screw Fit

Material-ABS

CAT NO.: JSFG-05

Size: 220mm X 220mm



Colour Shade-Black

Screw Fit

Material-ABS

CAT NO.: JSFG-06

Size: 80mm X 80mm



Colour Shade-Black

Screw Fit
Material-ABS

CAT NO.: JSFG-07

Size: 90mm X 90mm



Colour Shade-Black

Screw Fit
Material-ABS

CAT NO.: JSAB-01

Size: 67mm X 51mm



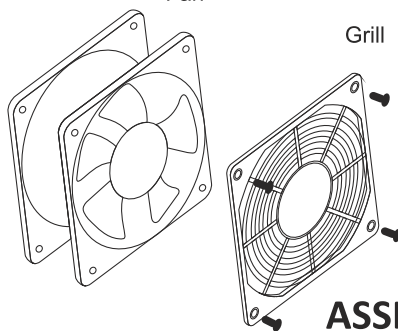
Colour Shade-RAL-7035

Screw Fit
Material-ABS

Control Panel (Cut-out on Door as per Fan Selection)

Fan

Grill



ASSEMBLY DIAGRAM

PUSH BUTTON STATION & DOCUMENT HOLDER

CAT NO.: **JSPB-01** Size: 130mm X 130mm



Colour Shade-Top White Bottom Black Screw Fit Material-ABS

CAT NO.: **JSPB-02** Size: 130mm X 130mm



Colour Shade-Top White Bottom Black Screw Fit Material-ABS

CAT NO.: **JSPB-03** Size: 130mm X 130mm



Colour Shade-Top White Bottom Black Screw Fit Material-ABS

CAT NO.: **JSPB-04** Size: 130mm X 130mm



Colour Shade-Top White Bottom Black Screw Fit Material-ABS

CAT NO.: **JSDH-01** Size: A5, 17mm Deep



Colour Shade-RAL-7035

Material-ABS

CAT NO.: **JSDH-02** Size: A4, 38mm Deep



Colour Shade-RAL-7035

Material-ABS

CAT NO.: **JSDH-03** Size: A4, 17mm Deep



Colour Shade-RAL-7035

Material-ABS

A.B.S JUNCTION BOX

CE ROHS IP 55

CAT NO.: **ET-10107** Size: 100mm X 100mm X 70mm



Colour Shade-RAL-7035

Material-A.B.S

CAT NO.: **ET-15117** Size: 150mm X 100mm X 70mm



Colour Shade-RAL-7035

Material-A.B.S

CAT NO.: **ET-15157** Size: 150mm X 150mm X 70mm



Colour Shade-RAL-7035

Material-A.B.S

CAT NO.: **ET-20107** Size: 200mm X 100mm X 70mm



Colour Shade-RAL-7035

Material-A.B.S

CAT NO.: **ET-20168** Size: 200mm X 155mm X 80mm



Colour Shade-RAL-7035

Material-A.B.S

CAT NO.: **ET-26208** Size: 255mm X 200mm X 80mm



Colour Shade-RAL-7035

Material-A.B.S

CAT NO.: **ET-302512** Size: 300mm X 250mm X 120mm



Colour Shade-RAL-7035

Material-A.B.S

CAT NO.: **ET-403512** Size: 400mm X 350mm X 120mm



Colour Shade-RAL-7035

Material-A.B.S

JUNCTION BOX

CAT NO.: ET-9020

Size: 88mm X 88mm X 53mm



Colour Shade-RAL-7035

Material-P.S

CAT NO.: ET-9040

Size: 98mm X 98mm X 61mm



Colour Shade-RAL-7035

Material-P.S

CAT NO.: ET-9060

Size: 139mm X 119mm X 70mm



Colour Shade-RAL-7035

Material-P.S

CAT NO.: ET-9100

Size: 167mm X 125mm X 82mm



Colour Shade-RAL-7035

Material-P.S

CAT NO.: ET-9250

Size: 200mm X 160mm X 98mm



Colour Shade-RAL-7035

Material-P.S

CAT NO.: ET-9350

Size: 260mm X 210mm X 117mm



Colour Shade-RAL-7035

Material-P.S

CAT NO.: JSPB-05

Push Button Marker



Colour Shade-Black

Material-A.B.S

CAT NO.: JSBL-01

22.5mm Ø Blanker



Colour Shade-Black

Material-Polyamide

CAT NO.: JSSL-01

Side Lock (Lever Latch)



Colour Shade-Black

Material-Polyamide

CAT NO.: JSPB-06 | 120mm Hole Distance



Colour Shade-Black

Material-Polyamide

CAT NO.: JSPB-09 | 90mm Hole Distance



Colour Shade-Black

Material-Polyamide

CAT NO.: JSPB-08 | Small Pocket Handle 94mm



Colour Shade-Black

Material-Polyamide

CAT NO.: JSPB-08-1 | Big Pocket Handle 109mm



Colour Shade-Black

Material-Polyamide

CLINCHING NUT



Length (L) on Request
Stainless Steel on Request
Available Sizes

M3 M4 M5 M6 M8

Material-Mild Steel, Plating Nickel

WELD STUD



Length (L) on Request
Stainless Steel on Request
Available Sizes

M3 M4 M5 M6 M8

Material-Mild Steel, Plating Copper

SELF ADHESIVE GASKET TAPE



Used commonly in sealing Industrial Electrical Panels, Compartments with applications even in Bus and Truck Body, these Tapes most commonly use EVA Foam as the substrate and are coated with an Acrylic Adhesive. Commonly Available in Black Colour and White Colours respectively.

Thickness - 2mm, 3mm, 5mm, 6mm , 10 mm

Widths - 15mm, 20mm, 25mm, 30mm, 35mm, 40mm, 45mm, 50mm, 60mm, 70mm, 80mm, 90mm, 100mm

Product Specifications

Shelf Life : 1 Years

Adhesive Side : Single Side

Peeling Strength: >550 gms/25mm

Material : EVA

Tape Type : Single Side Gasket Tape

Adhesive Type : Pressure Sensitive

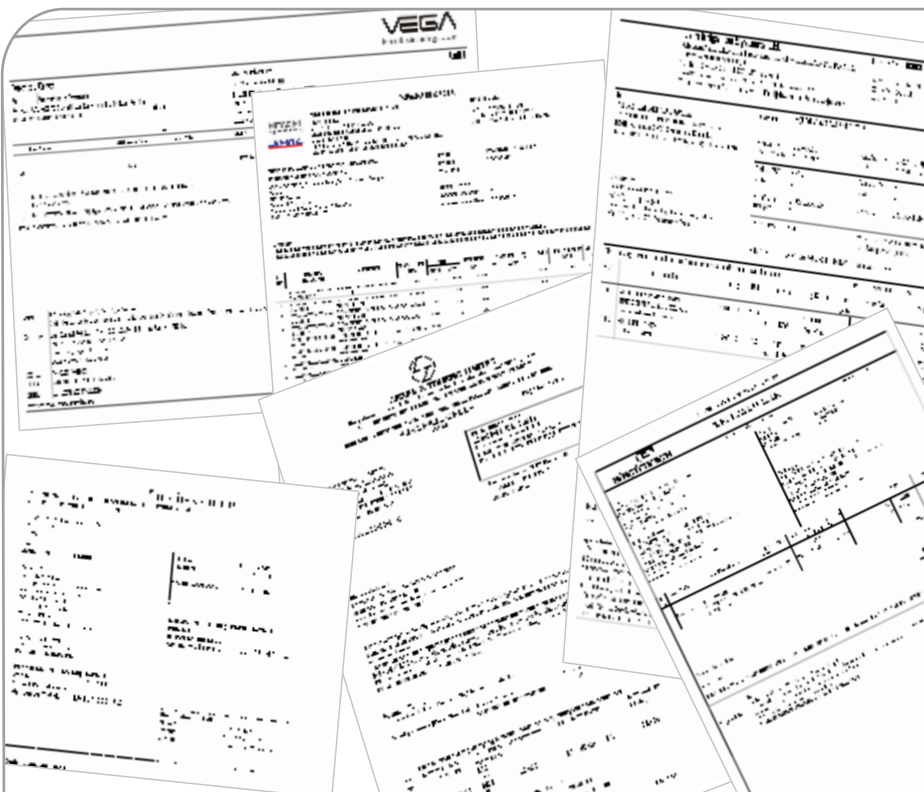
Color : Black, White

Tape Thickness : 3mm to 10mm

Use : Gasket, Canopy, Industrial Electrical Panels

Tape Width: 15mm to 100mm

Valuable Customers



Herein, we feel proud to apprise you that presently we are Market Leader in manufacturing Quality Product. Major chunk of our products is used by

- State Electricity Board • Defense • Power Supply Co.
- Railways • Telecom system • Automation • Cement Factories
- Steel Plants • Petrochemical • Power Projects.

Our consistent reputed clientele are

- Power Grid Corporation • ONGC • BHEL • Railways • BEL
- Instrumentation Ltd. • Bharat Bijlee • BCH • Reliance
- HFCL • Siemens • Jain Irrigation sys Ltd
- GE Power • Larsen & Toubro Ltd. • Crompton Greaves Ltd.
- ABB Ltd, Schneider • Amara Raja Power Systems
- Raychem RPG, etc.

We are on approved list of all the major Consultants. Moreover we are exporting our products to various countries in the • Middle East • South East Asia.

Our product conforms to CE, ROHS, ERDA, IP54, IP55, IP65 standards. We serve our Customer with tailor-made item to suit their specific need.



ELETTROTM

ELECTRICAL CABINET ACCESSORIES

An ISO 9001:2008 Certified Company

JAINSON CABINET ACCESSORIES

Mfg: Electrical Cabinet Accessories

Office Address :

Unit No. B-3/F, Malad Industrial Co-op. Society,
Kachpada, Malad (West), Mumbai - 400 064.
Tel. : +91 22-2883 6244, 2881 3749
Email: marketing@elettro.in , sales@elettro.in

Factory Address :

A2/23, G.D.D.I.D.C., Somnath Road,
Opp. Somnath Temple, Daman - 396 210.
Tel.: +91 0260-3262808
Log on : www.elettro.in

Authorised Dealer :

